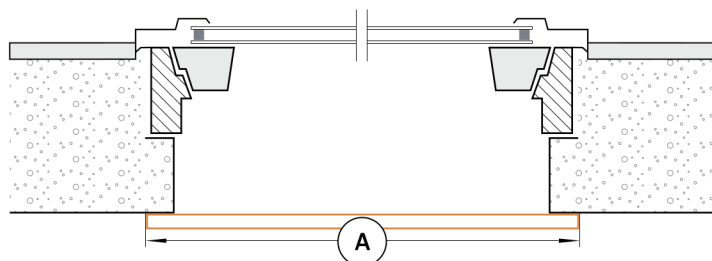


Measuring instructions

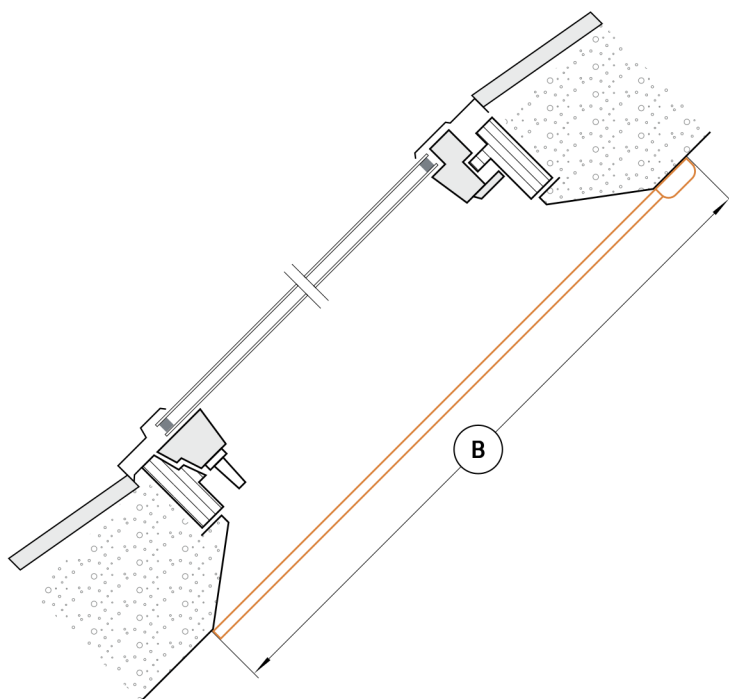
Mosquito net on the collar

The long and trouble-free operation of the window screen depends not only on the high quality of its construction but also on its proper fitting and installation. For the screen to fit perfectly, the chosen spot must be correctly and carefully measured.

It is absolutely essential to follow the instructions in the diagrams below.



Roof Recess - Top View (width)



Roof Recess - Side View (height)

A - WIDTH

This is the width of the internal roof recess, plus an additional 8 cm for the side guides (2x4 cm).

B - HEIGHT

This is the height of the internal roof recess, plus an additional 10 cm for the cassette.

*All dimensions are given in millimeters